



## cartridge and gear driven manual screen changer

# BDCG



From the BDLG design we derived an innovative version equipped with cartridge filtering elements. It revolutionizes the usual approach of this type of machine.

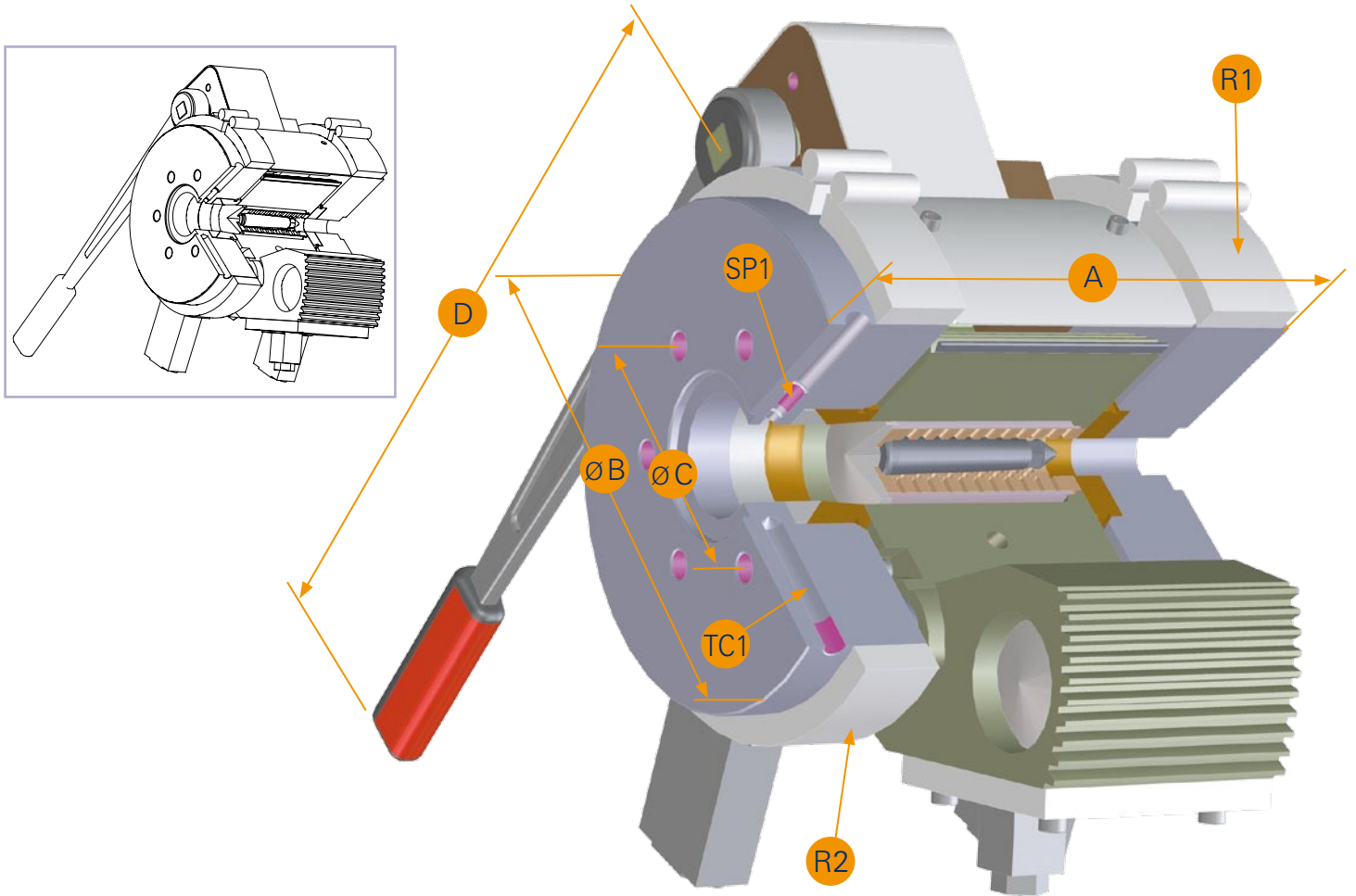
As everybody knows normal static filters take up room, are particularly demanding from the maintenance point of view, need a long time for filter replacement which in turn causes expensive machine down time. In all respects the BDCG is a screen changer, as it is equipped with two filtering cartridges placed on a sliding plate.

Screen changing times are very quick which minimises the machine down time to an acceptable level

It is available in sizes from  $\varnothing$  60 to  $\varnothing$  75 mm and can be easily fitted to extruders from  $\varnothing$  45 to  $\varnothing$  80 mm.



# BDCG



BDCG Ø	A	ØB	ØC	D	R1	R2	R3	R4	TC1	SP1	Weight Kg.
60	261	245	120	485	W. 1100	W. 1500	W. 750	W. 750	Thermo couple	Pressure gauge	80
75	292	270	140	485	W. 1700	W. 2750	W. 750	W. 750	Thermo couple	Pressure gauge	100

