



lever screen changers

BDL



Simplicity and reliability are the most important features of our manual screen changers BDL.

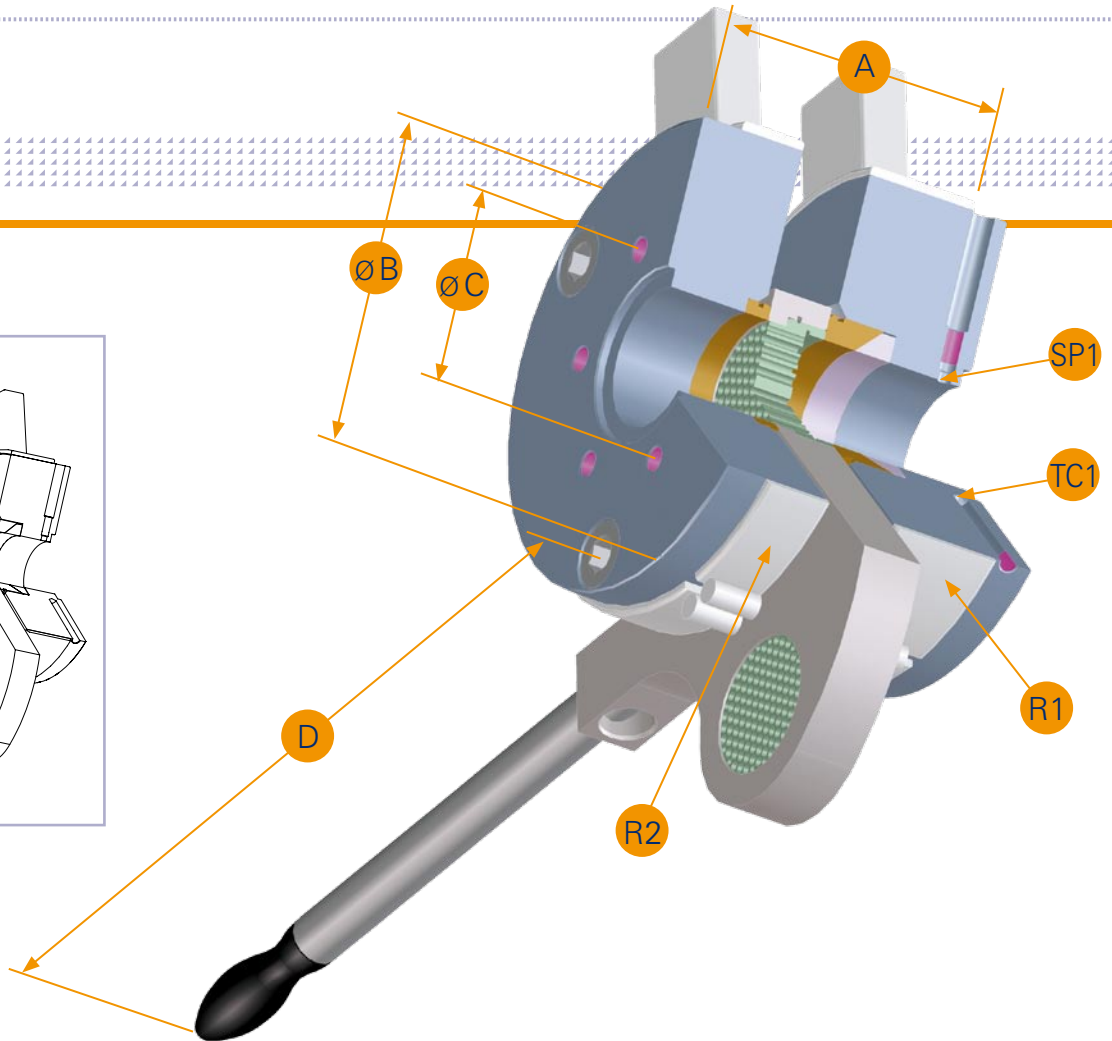
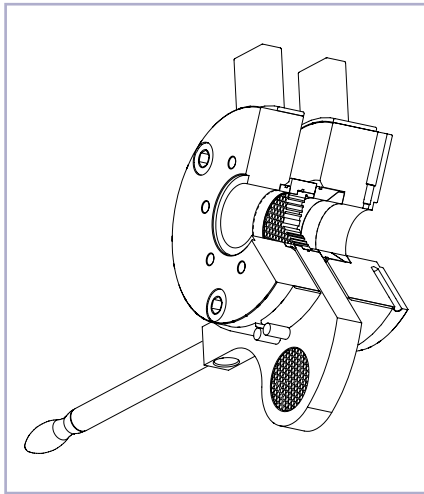
They are available with filtering masses ranging from $\varnothing 20$ to $\varnothing 120$ mm and offer proved advantages and low costs.

They are equipped with a tested self-activating sealing system which allows them to be used safely and without leaks up to 800 bar working pressure. They can be easily used in small and medium size extrusion and co-extrusion lines.

The lever can be operated from three different positions and ensures a quick movement of the sliding plate.



BDL



BDL Ø	A	ØB	ØC	D	R1	R2	TC1	SP1	Weight Kg.
30/35	141	180	115	440	W. 700	W. 700	Thermo couple	Pressure gauge	30
45/50/60/65	184	245	120	525	W. 1400	W. 700	Thermo couple	Pressure gauge	60
75/80	200	270	140	550	W. 1650	W. 1000	Thermo couple	Pressure gauge	80
90/100	230	320	150	722	W. 2400	W. 1500	Thermo couple	Pressure gauge	120
120	230	380	200	985	W. 2500	W. 2100	Thermo couple	Pressure gauge	200

