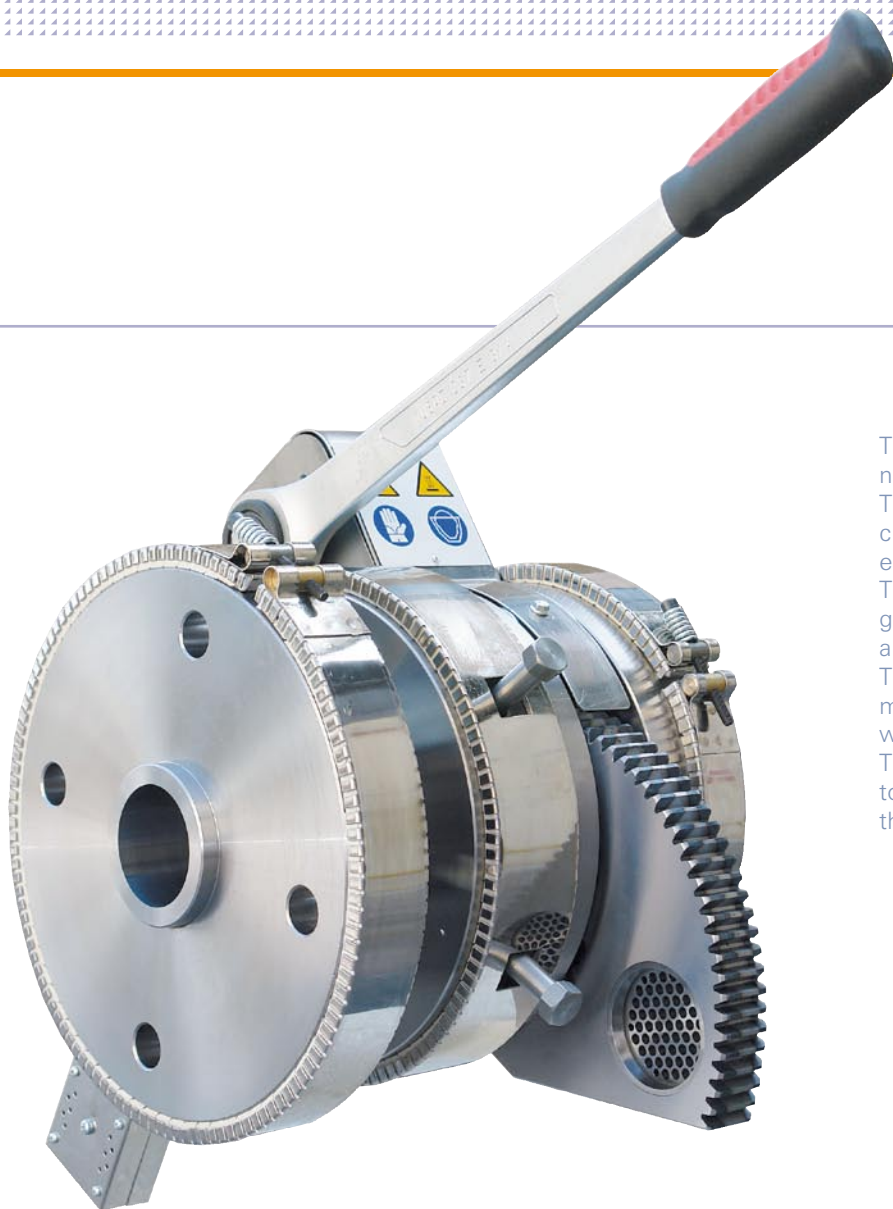




gear driven manual screen changer



BDLG

This new range of product represents more than the natural evolution of BDL.

The most important features of BDLG are a very clean design, the result of careful engineering, the easy use and an excellent compact construction.

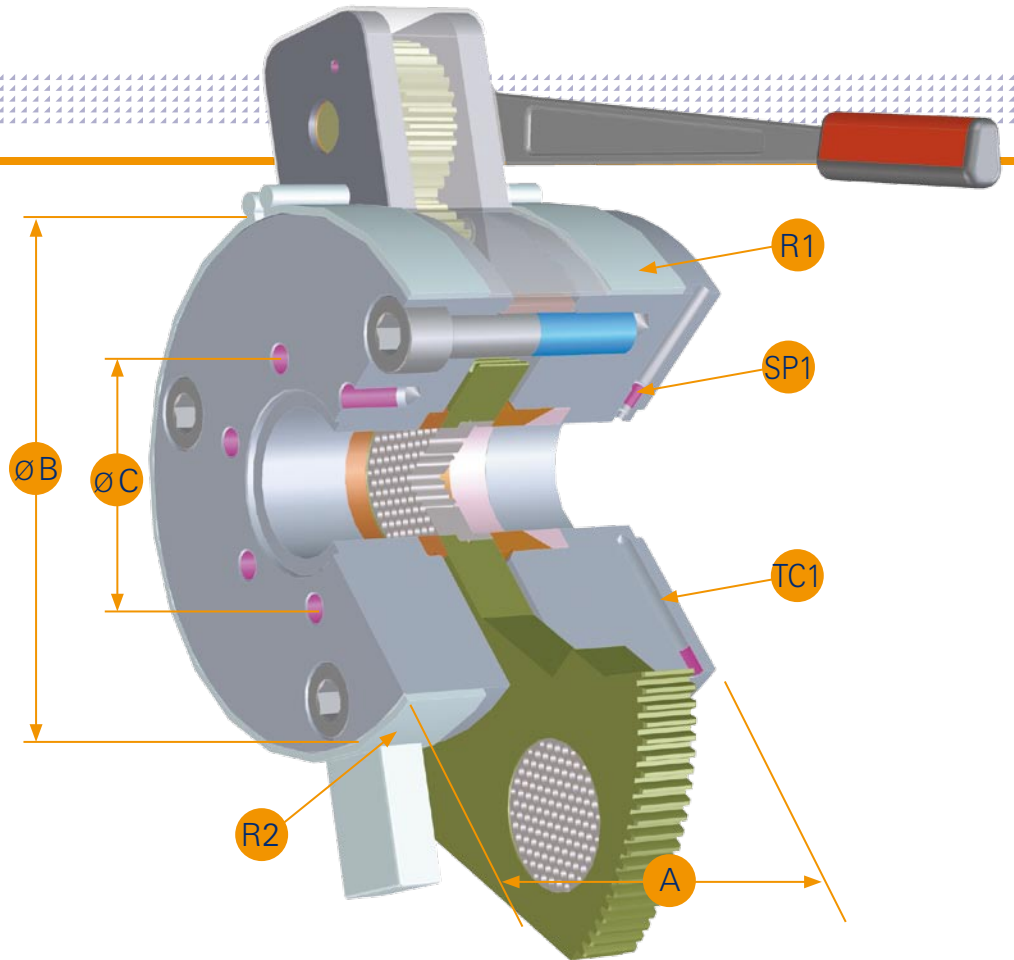
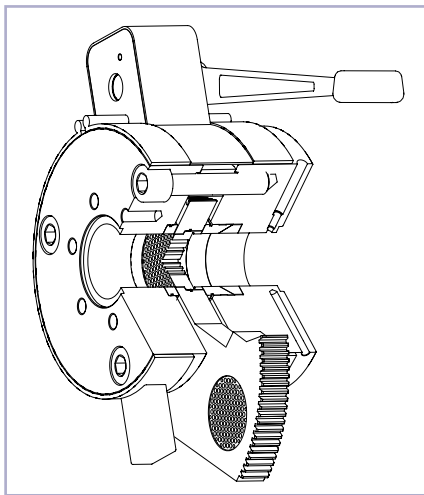
The sliding plate movement is driven by a series of gears operated by a simple ratchet key thus allowing a much reduced operating space.

The profitable reduction rate makes the sliding plate movement smooth and easy even when working with the biggest filtering masses.

The BDLG is available with filtering masses from \varnothing 45 to \varnothing 250 mm and represent the best choice among the manual screen changers.



BDLG



BDLG Ø	A	ØB	ØC	D	R1	R2	TC1	SP1	Weight Kg.
45/50/60/65	184	245	120	485	W. 1500	W. 1100	Thermo couple	Pressure gauge	70
75/80	200	270	140	485	W. 1700	W. 1700	Thermo couple	Pressure gauge	90
90/100	230	320	150	485	W. 2750	W. 2750	Thermo couple	Pressure gauge	150
120	230	380	200	485	W. 3000	W. 3600	Thermo couple	Pressure gauge	240
160	275	444	250	485	W. 4200	W. 4200	Thermo couple	Pressure gauge	340