

Hydraulic screen changers

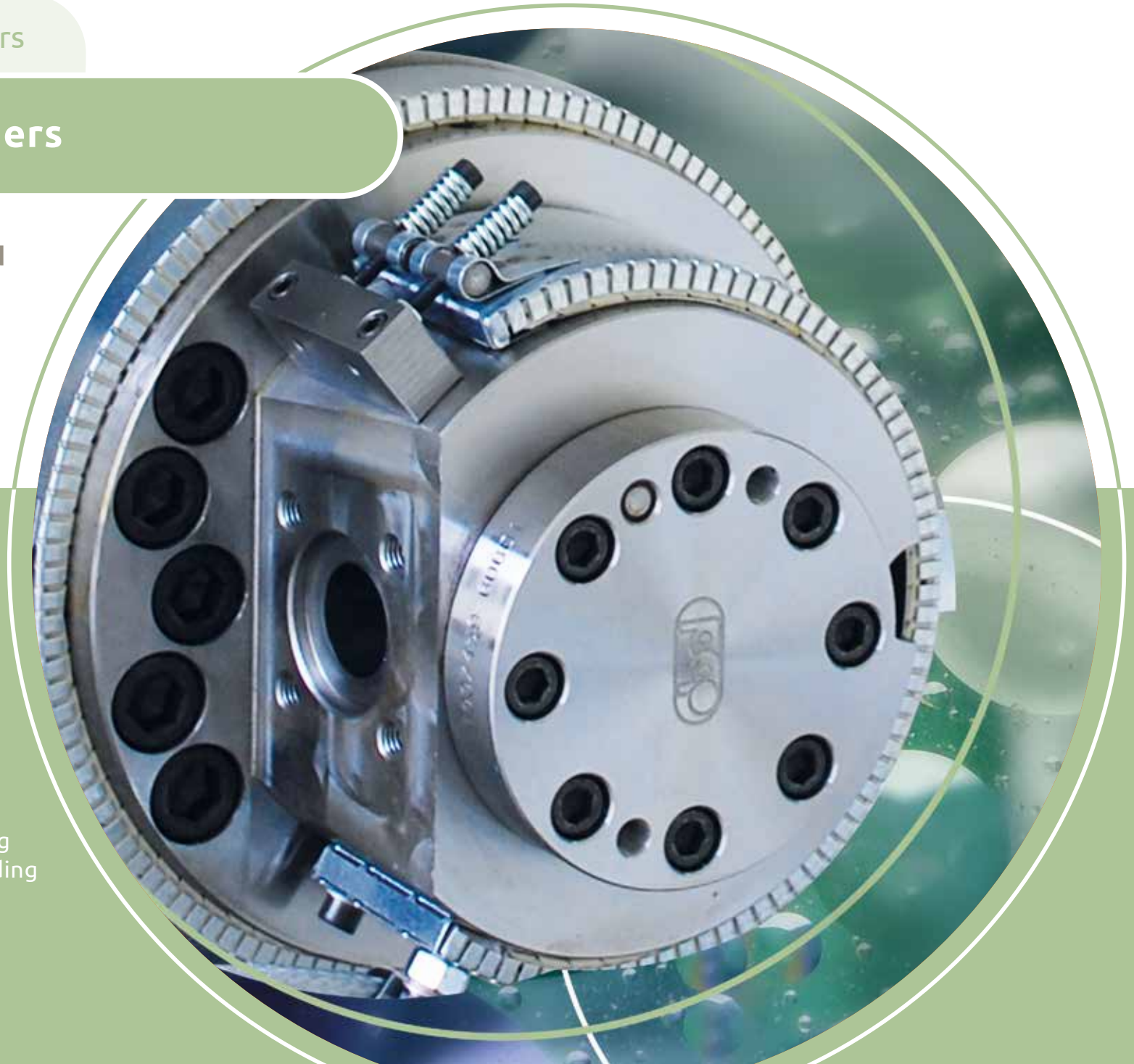
## BDP screen changers

**ERGONOMIC DESIGN  
AND FLEXIBLE  
INSTALLATION**

**FILTER MASSES**  
45 - 180 mm

**APPLICATIONS**

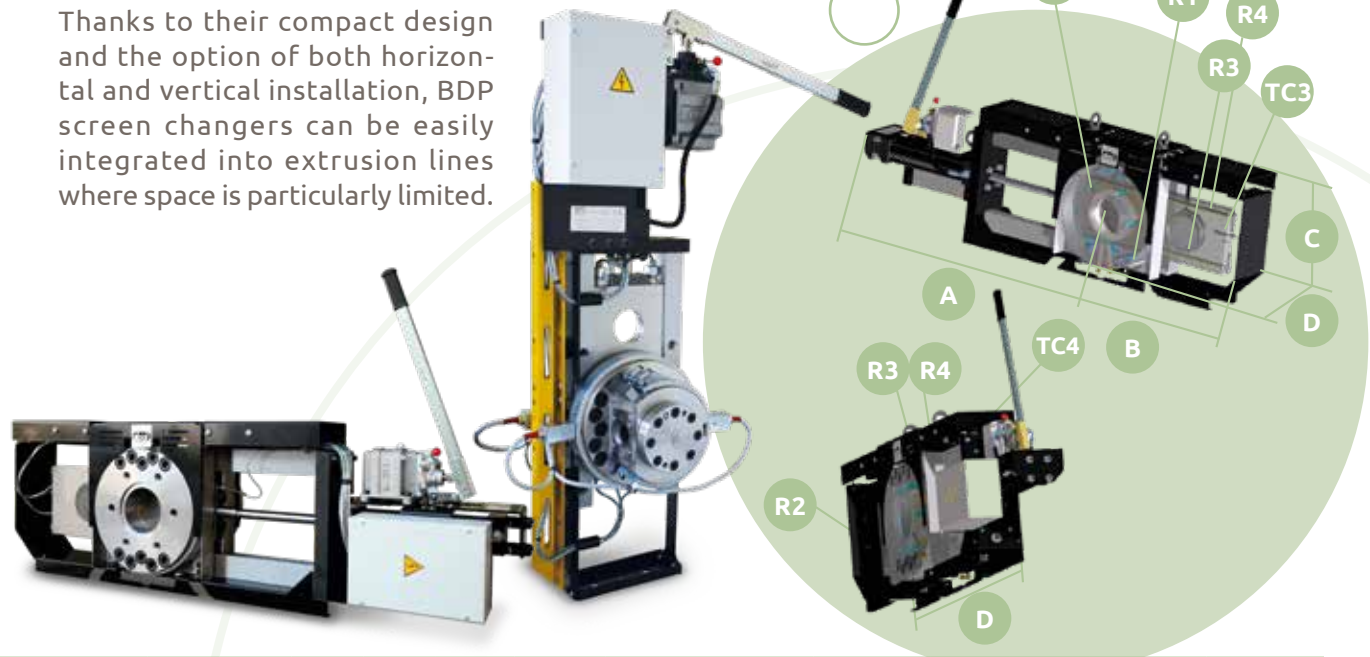
- Blown or cast films
- Flat sheet
- Pipes and profiles
- Cable coating
- Recycling
- Masterbatch  
and compound pelletizing
- Blow and injection moulding



The **BDP series screen changers** stand out for their **simple construction, ergonomics**, and the **rational design behind them**. They represent the **hydraulic evolution of manual screen changers** and are suitable for processing particularly sensitive polymers, thanks to the specific temperature control of each filter holder.

Available with filtering sizes from **Ø 45 to Ø 180 mm**, they are equipped with a channeled wiring system on the upper part that directs the power cables and thermocouples into a junction box located next to the cylinder.

Thanks to their compact design and the option of both horizontal and vertical installation, BDP screen changers can be easily integrated into extrusion lines where space is particularly limited.



**BDP - main dimensions**

Filtering mass	Flow dimensions			Filter mesh size			Overall dimensions					Heating power				High temp. extrusion Heating power			
	Throughput	S/C Tot. Free Area	S/C Nominal Area total	Screen	Scr Housing	Scr Housing Dept	A	B	C	D	Weight	R1 Zone	R2 Zone	Sliding plates heating zones		R1 Zone power	R2 Zone power	Sliding plates heating zones	
Ø (mm)	(kg/h)	(cm²)	(cm²)	Ø (mm)	Ø (mm)	(mm)	(mm)	(mm)	(mm)	(mm)	(kg)								
45	30-80	7,5	16	46	47	2	851	335	395	184	110	W1250	W700	W600 (300+300)	W600 (300+300)	W2100	W1100	W1200 (600+600)	W1200 (600+600)
50	35-85	9,9	20	51	52	2	851	335	395	184	110	W1250	W700	W600 (300+300)	W600 (300+300)	W2100	W1100	W1200 (600+600)	W1200 (600+600)
60	60-150	13,8	28	62	63	2	851	335	395	184	110	W1250	W700	W600 (300+300)	W600 (300+300)	W2100	W1100	W1200 (600+600)	W1200 (600+600)
65	70-175	16,4	33	67	68	2	851	335	395	184	110	W1250	W700	W600 (300+300)	W600 (300+300)	W2100	W1100	W1200 (600+600)	W1200 (600+600)
75	80-200	22	44	77	78	2	921	385	380	199	140	W1500	W1000	W600 (300+300)	W600 (300+300)	W2500	W1700	W1200 (600+600)	W1200 (600+600)
80	110-290	28	57	83	84	2	921	385	380	199	140	W1500	W1000	W600 (300+300)	W600 (300+300)	W2500	W1700	W1200 (600+600)	W1200 (600+600)
90	120-300	30	64	93	94	2	1061	465	425	228	210	W2100	W1350	W600 (300+300)	W600 (300+300)	W3500	W2250	W2000 (1000+1000)	W2000 (1000+1000)
100	140-350	37	79	103	104	3	1061	465	425	228	210	W2100	W1350	W600 (300+300)	W600 (300+300)	W3500	W2250	W2000 (1000+1000)	W2000 (1000+1000)
120	200-500	54	113	123	124	4	1088	580	586,5	230	335	W2300	W2000	W1500 (750+750)	W1500 (750+750)	W3800	W3200	W2200 (1100+1100)	W2200 (1100+1100)
140	300-750	73	154	143	144	4	1088	580	586,5	230	330	W2300	W2000	W1500 (750+750)	W1500 (750+750)	W3800	W3200	W2200 (1100+1100)	W2200 (1100+1100)
160	400-900	96	201	163	164	4	1145	610	586,5	274	400	W4200	W3600	W1500 (750+750)	W1500 (750+750)	W4200	W3600	W3000 (1500+1500)	W3000 (1500+1500)
180	500-1250	120	254	184	185	4	1291	670	715	365	780	2xW3200	2xW3200	W4000 (R5+R6)	W4000 (R7+R8)				

TC1, TC2, TC3, TC4 Thermocouples